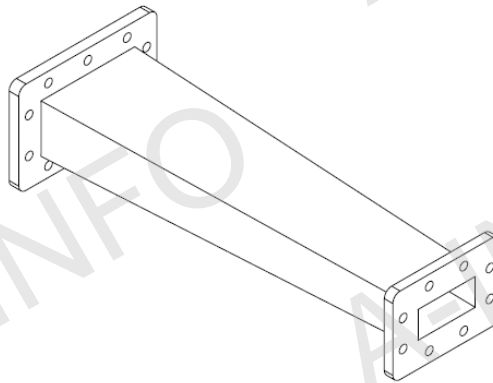
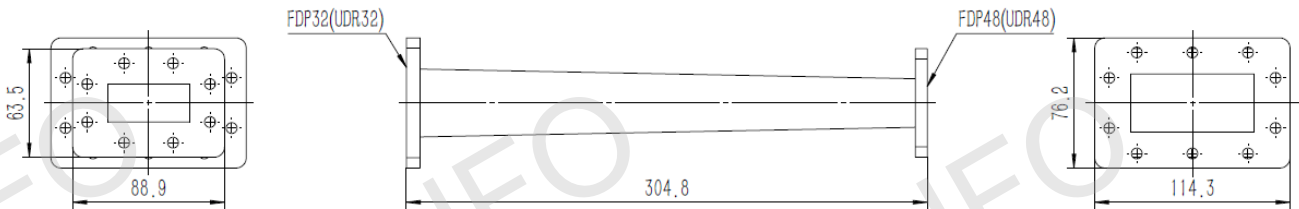


Technical Specification

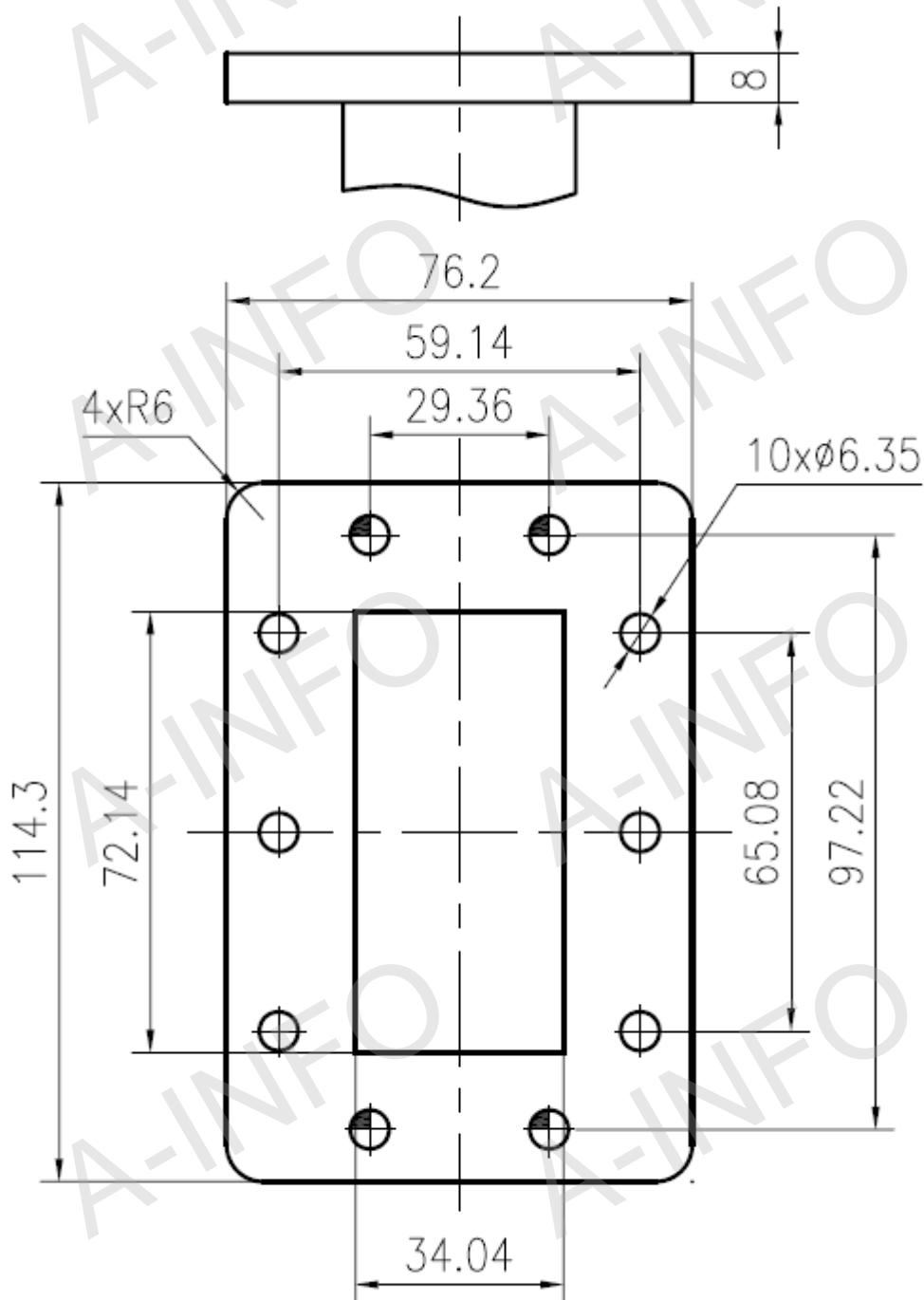


EIA WR to WR	WR284 to WR187
Frequency Range(GHz)	WR284: 2.60 – 3.95
	WR187: 3.95 - 5.85
VSWR	1.05:1 Max.
WR284 Flange	FDP32(UDR32)
WR187 Flange	FDP48(UDR48)
Material	Al
Size(mm)	304.8 x 114.3 x 76.2
Net Weight(Kg)	0.65 Around

Outline Drawing (Size: mm)



Outline Drawing (Size: mm)



FDP32

AINFO Inc.

Page 2 of 4

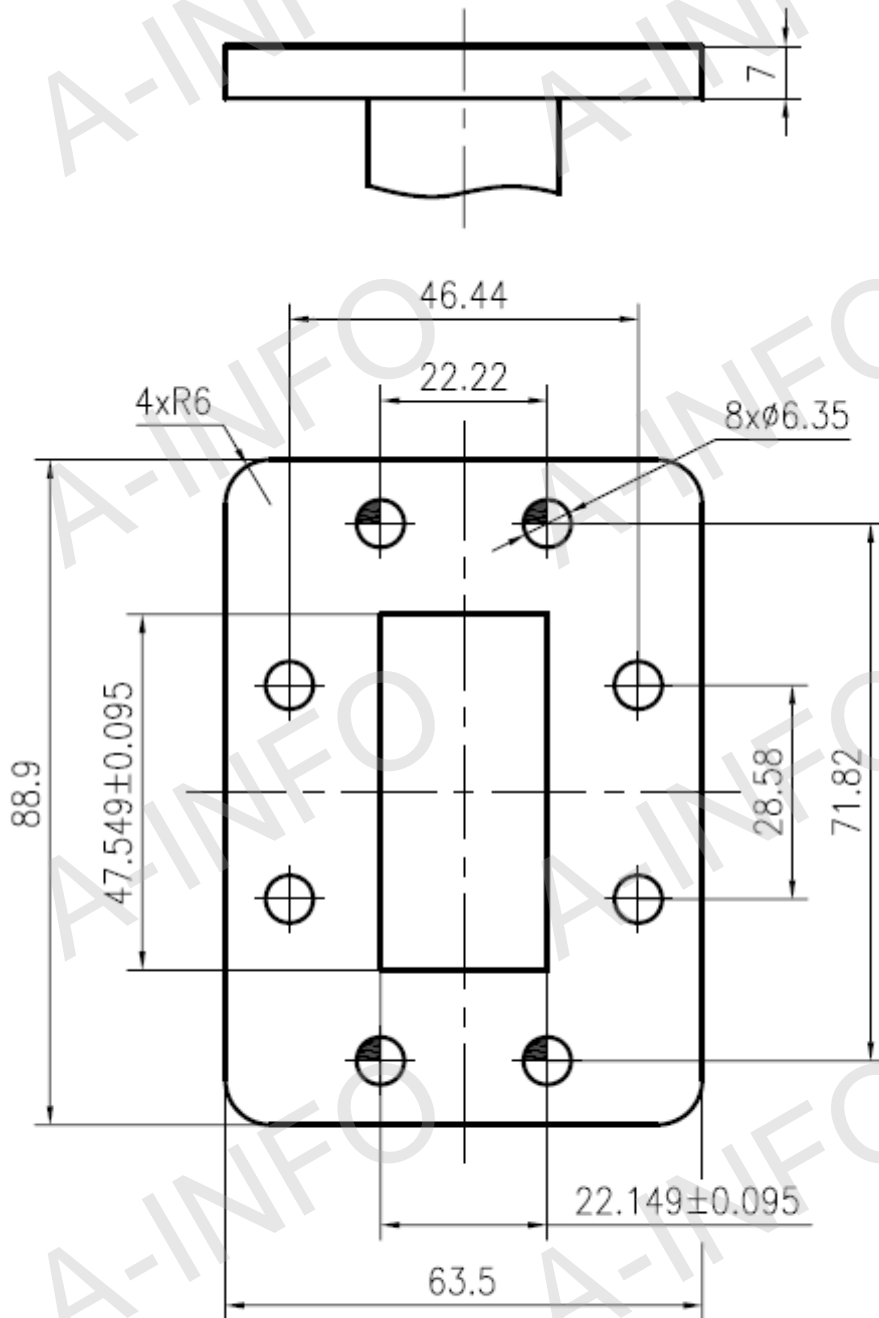
China(Beijing):
China(Chengdu):
USA :

Tel: (+86) 10-6266-7326,
Tel: (+86) 28-8519-2786,
Tel: (+1) 949-639-9688,

(+86) 10-6266-7327
(+86) 28-8519-3044
(+1) 949-639-9608

Fax: (+86) 10-6266-7379
Fax: (+86) 28-8519-3068
Fax: (+1) 949-639-9670

Website: www.ainfoinc.com
Email: sales@ainfoinc.com



FDP48

AINFO Inc.

Page 3 of 4

China(Beijing):
China(Chengdu):
USA :

Tel: (+86) 10-6266-7326,
Tel: (+86) 28-8519-2786,
Tel: (+1) 949-639-9688,

(+86) 10-6266-7327
(+86) 28-8519-3044
(+1) 949-639-9608

Fax: (+86) 10-6266-7379
Fax: (+86) 28-8519-3068
Fax: (+1) 949-639-9670

Website: www.ainfoinc.com
Email: sales@ainfoinc.com

Test Results

VSWR

